

## SPD-B-H20 SPECIFICATIONS

### Dimension

- Unfold Dimension (L\*W\*H): 5960mm\*7094mm\*2698mm
- Package Dimension (L\*W\*H): 6058mm\*2438mm\*2896mm
- Interior Clear Height: 2500mm
- Footprint Area: 39.8m<sup>2</sup> Indoor Net Area: 36.8m<sup>2</sup>

### Load Information

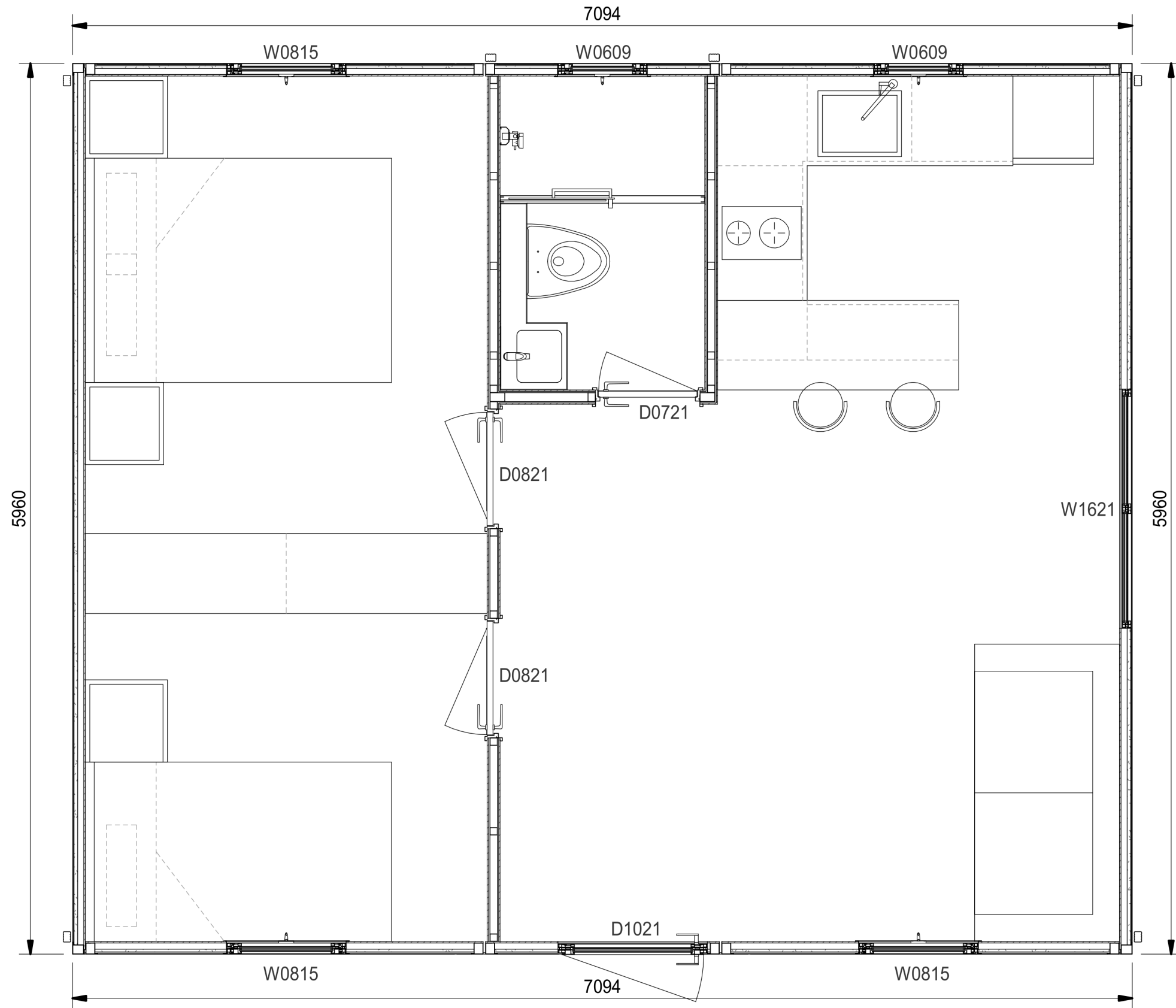
- Wind Load: 1.5KN/M<sup>2</sup>                      Snow Load: 1.0KN/M<sup>2</sup>
- Floor Load: 2.0KN/M<sup>2</sup>                      Bathroom Floor Load: 2.5KN/M<sup>2</sup>
- Roof Dead Load: 0.5KN/M<sup>2</sup>                      Roof Live Load: 1.0KN/M<sup>2</sup>

### Other Parameter

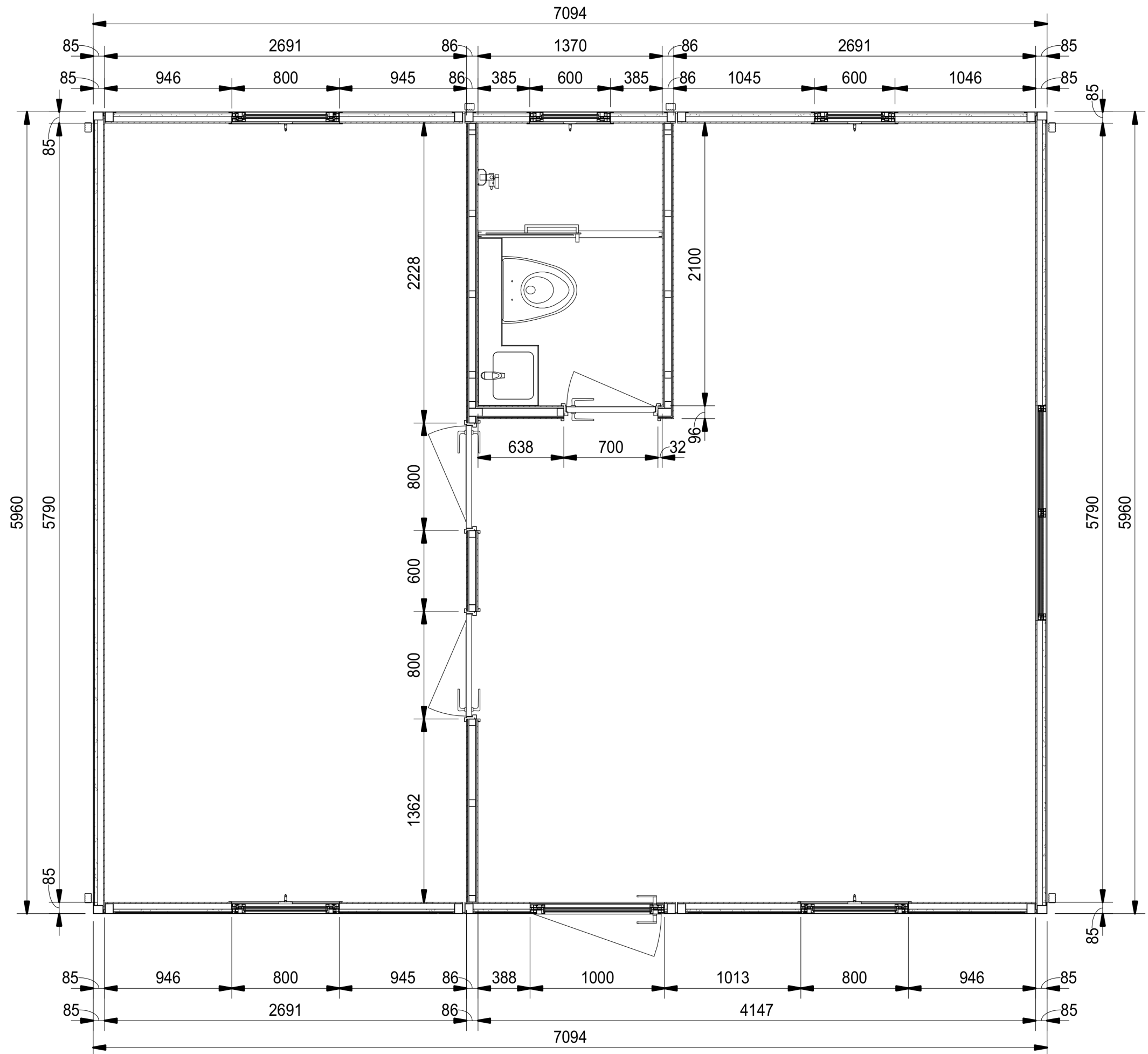
- Seismic Resistance: Grade 9
- Overall R-value: 30.6 ft<sup>2</sup>·hr·F/BTU
- Fire Rating: Grade 3 (0.5H)
- Sound Transmission Class: ≥60db

### CONTENTS

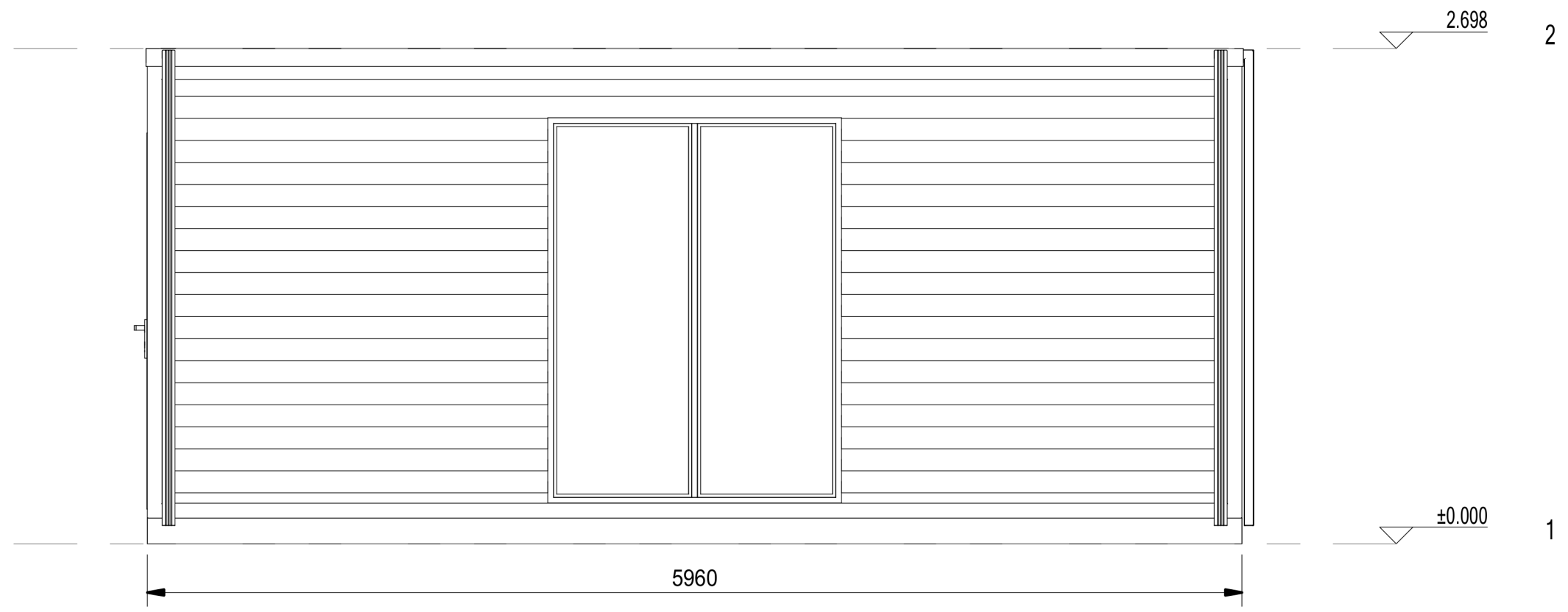
DWG NO.	TITLE
J0-01	LAYOUT PLAN
J0-02	DETAIL DIMENSION
J0-03	ELEVATION -1
J0-04	ELEVATION -2
J0-05	SECTION PLAN
J0-06	3D VIEW-1
J0-07	3D VIEW-2
J0-08	SOCKET PLAN
J0-09	LIGHT PLAN
J0-10	PLUMBING PLAN
J0-11	DOOR & WINDOW SCHEDULE



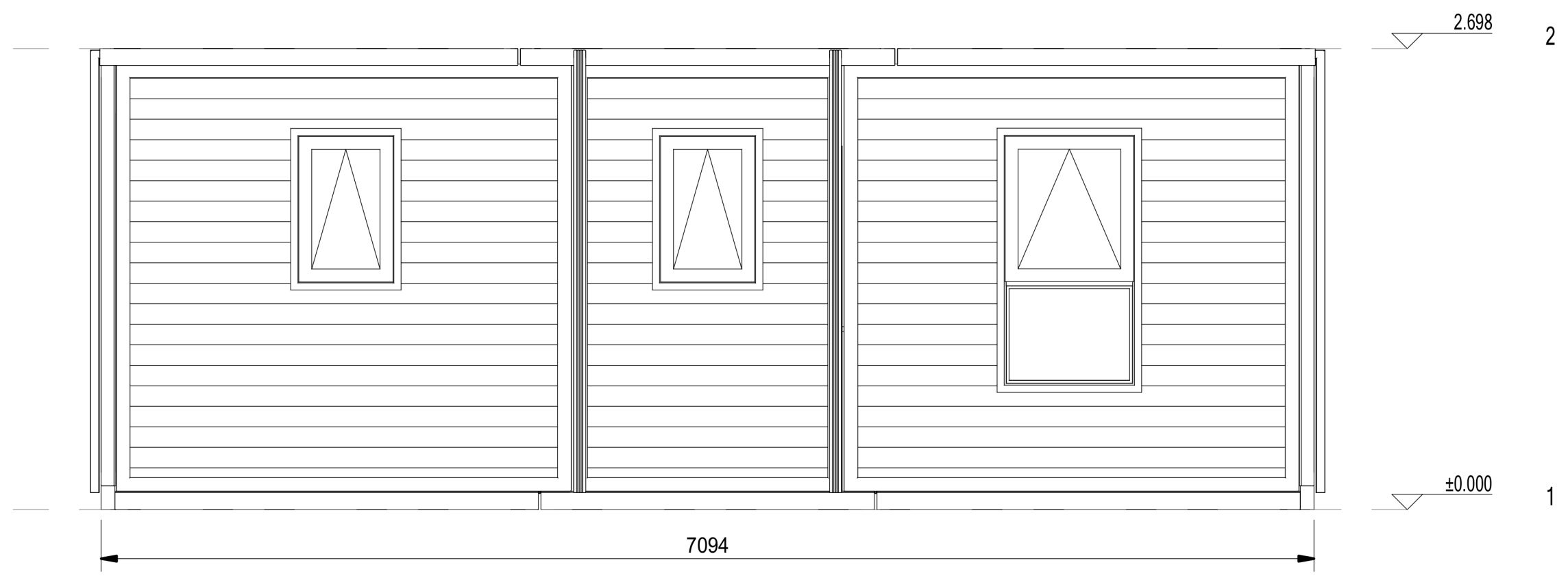
LAYOUT PLAN



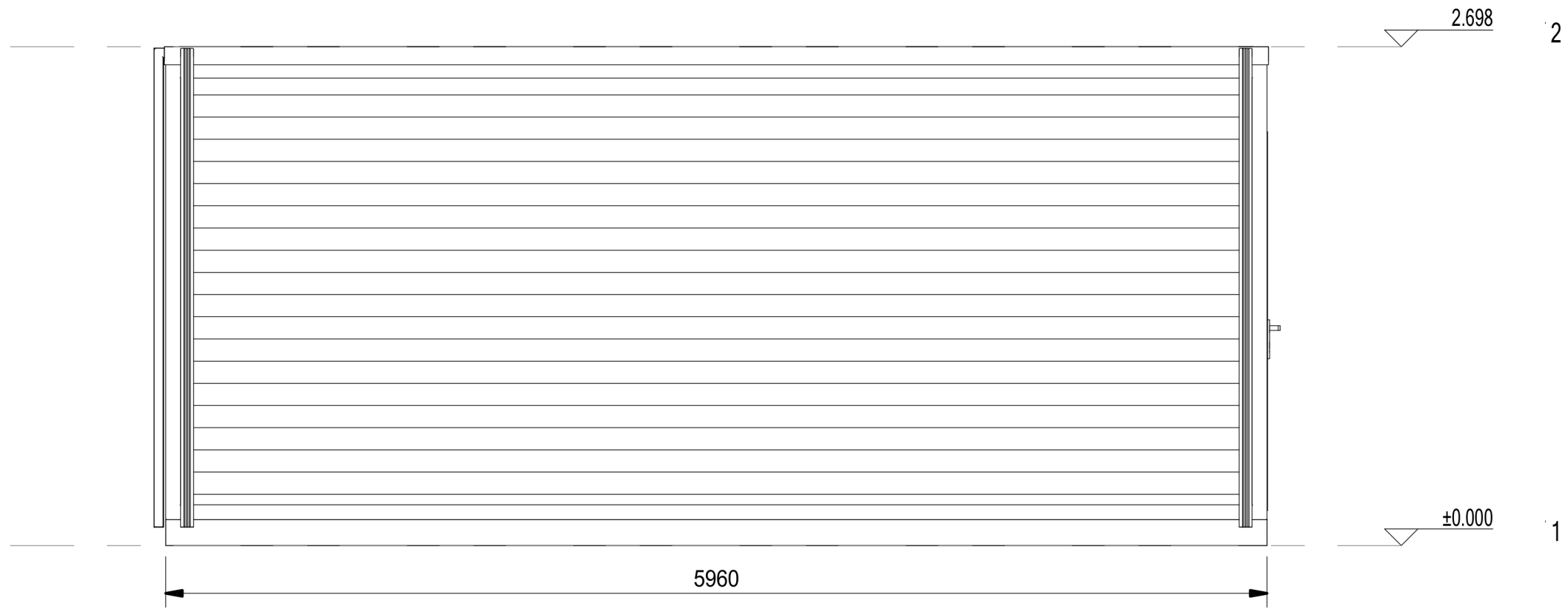
DETAIL DIMENSION



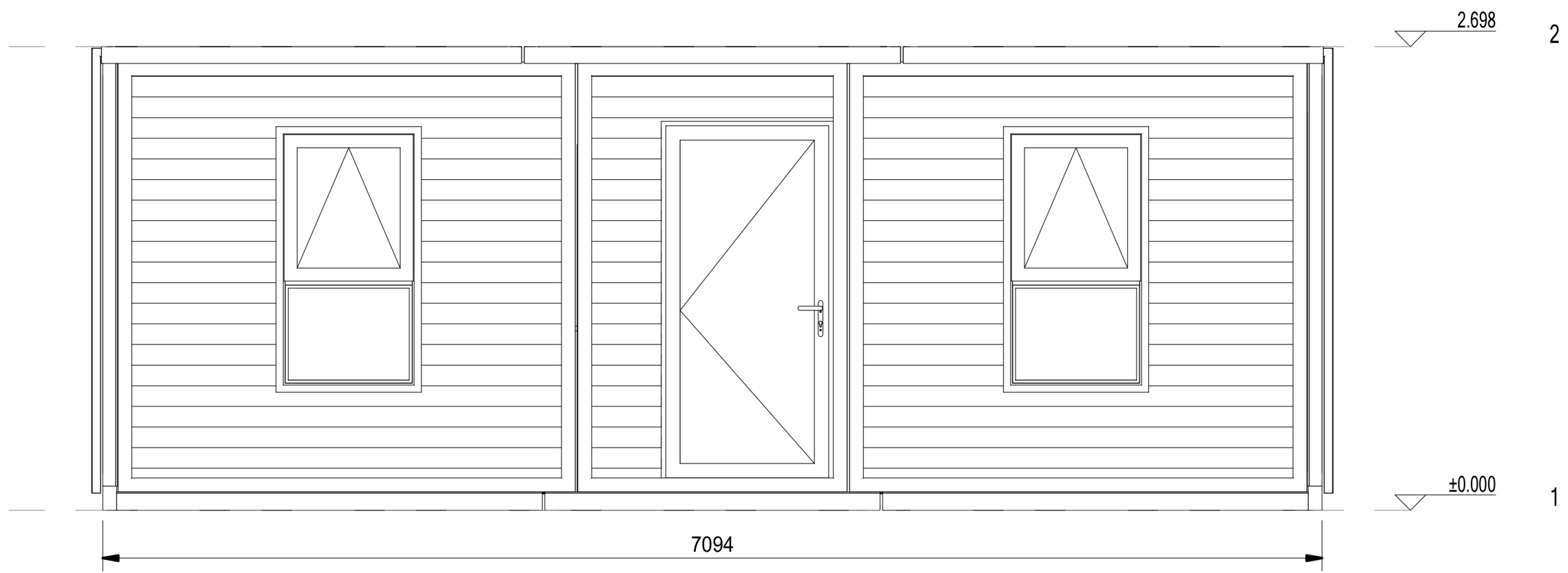
EAST ELEV.



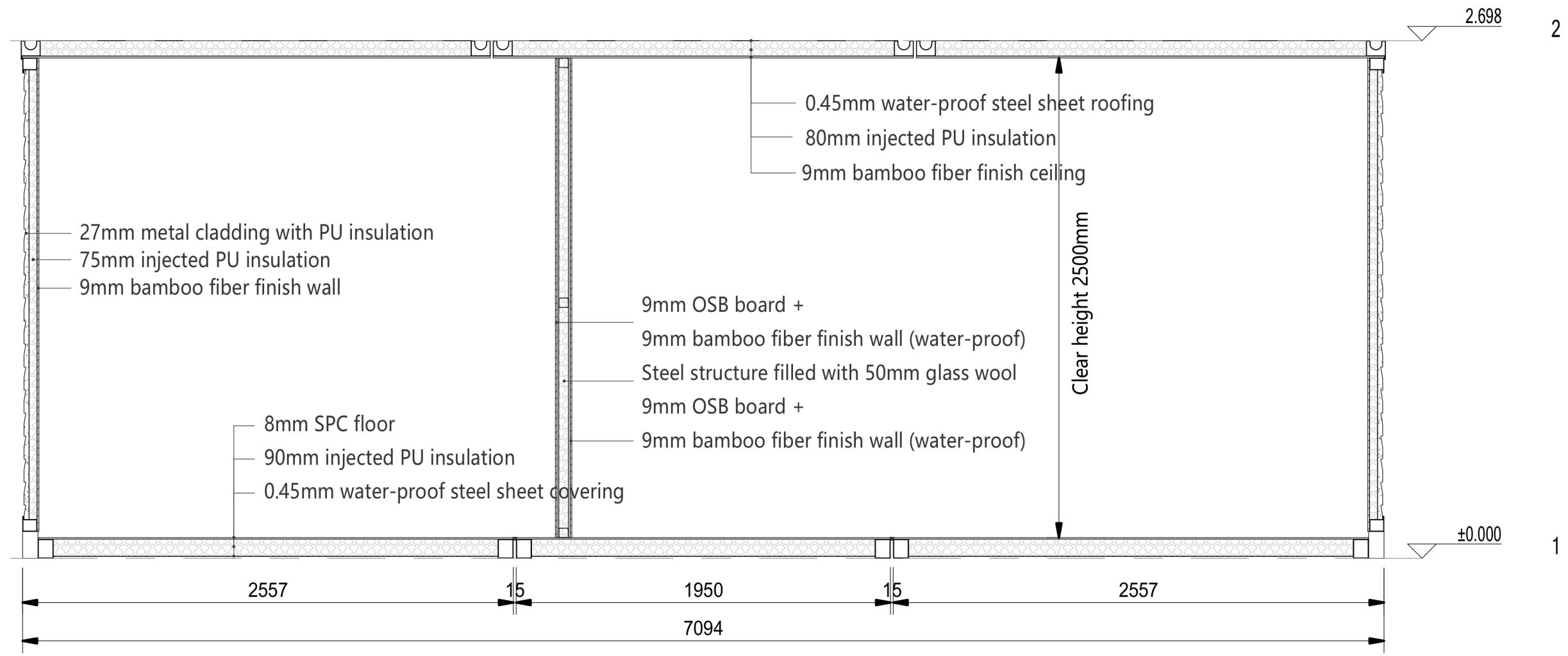
NORTH ELEV.



WEST ELEV.

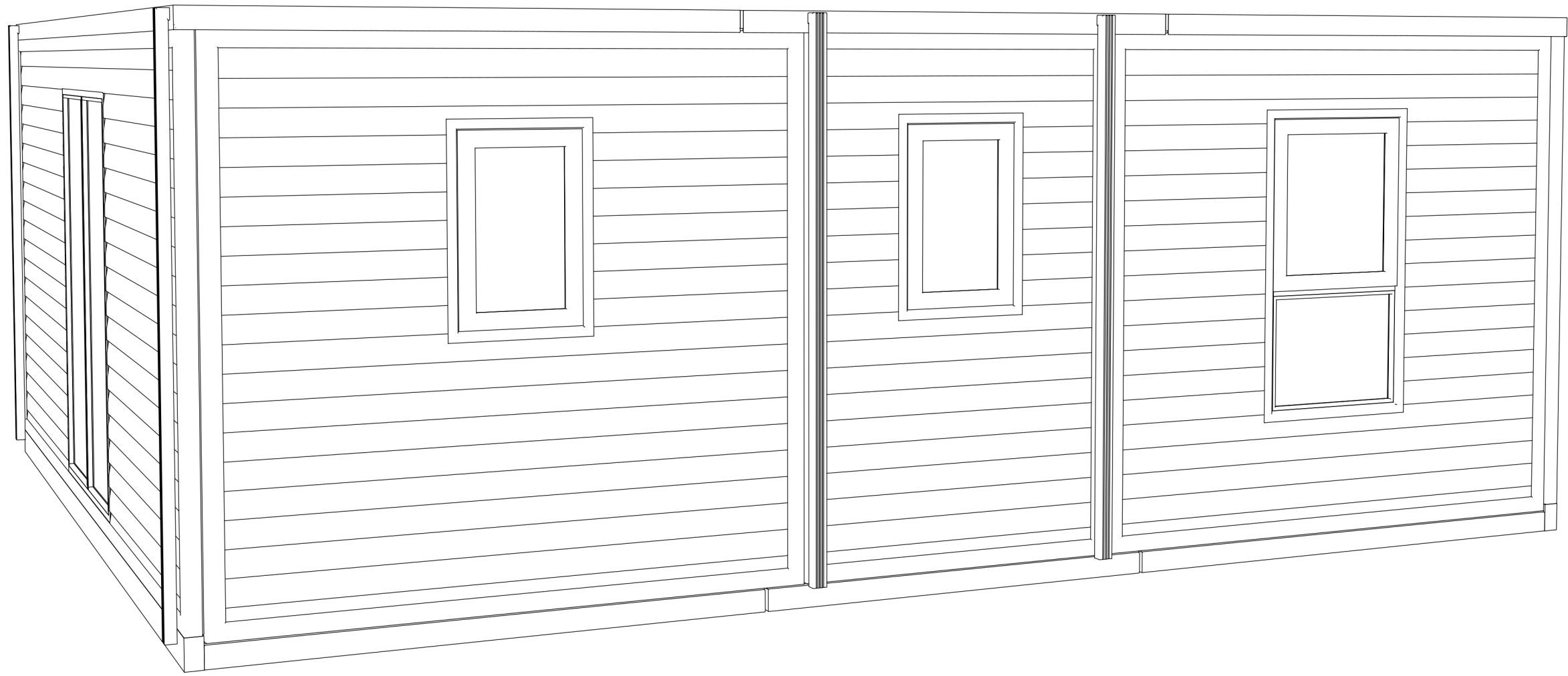


SOUTH ELEV.

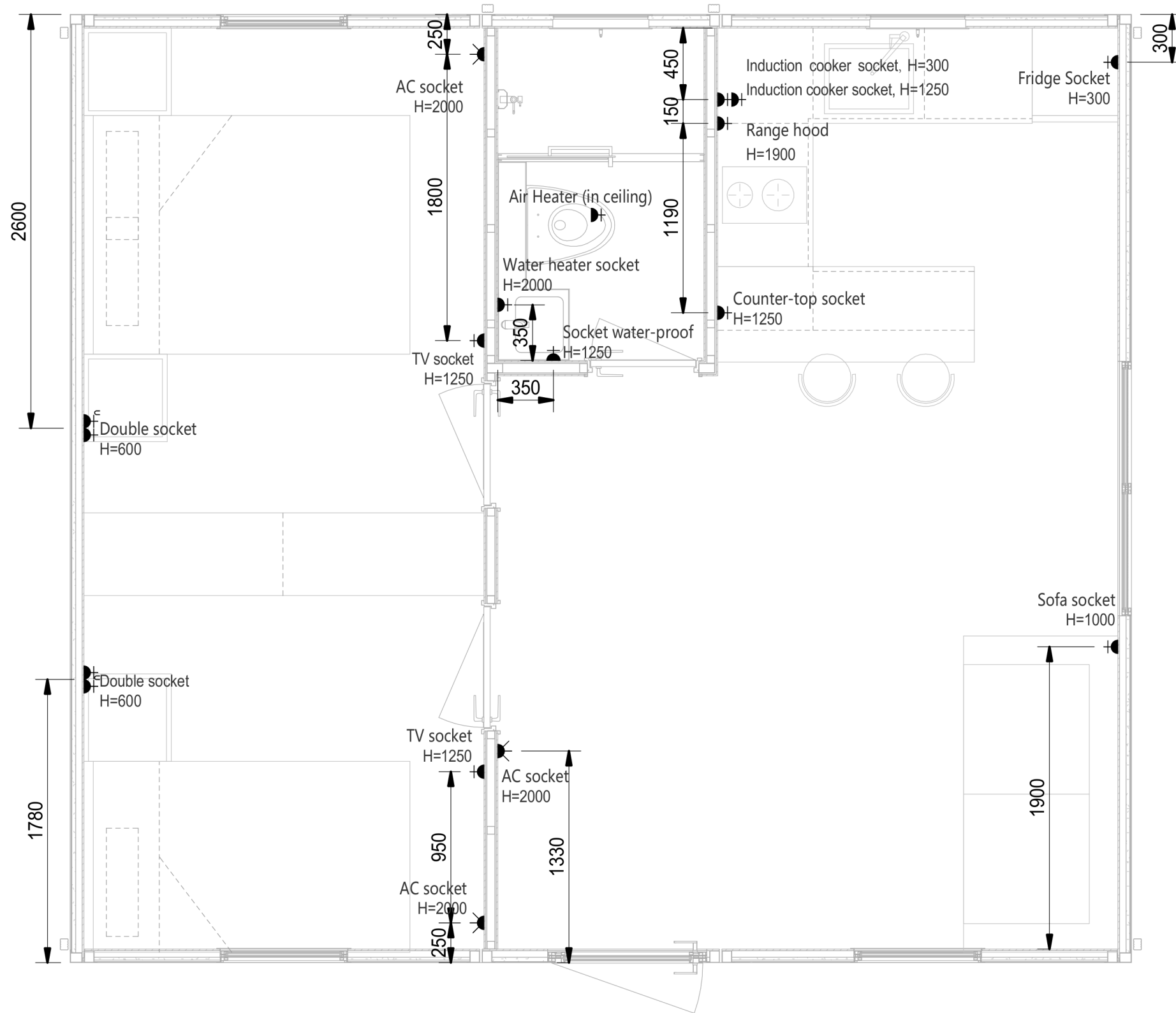


**SECTION PLAN**





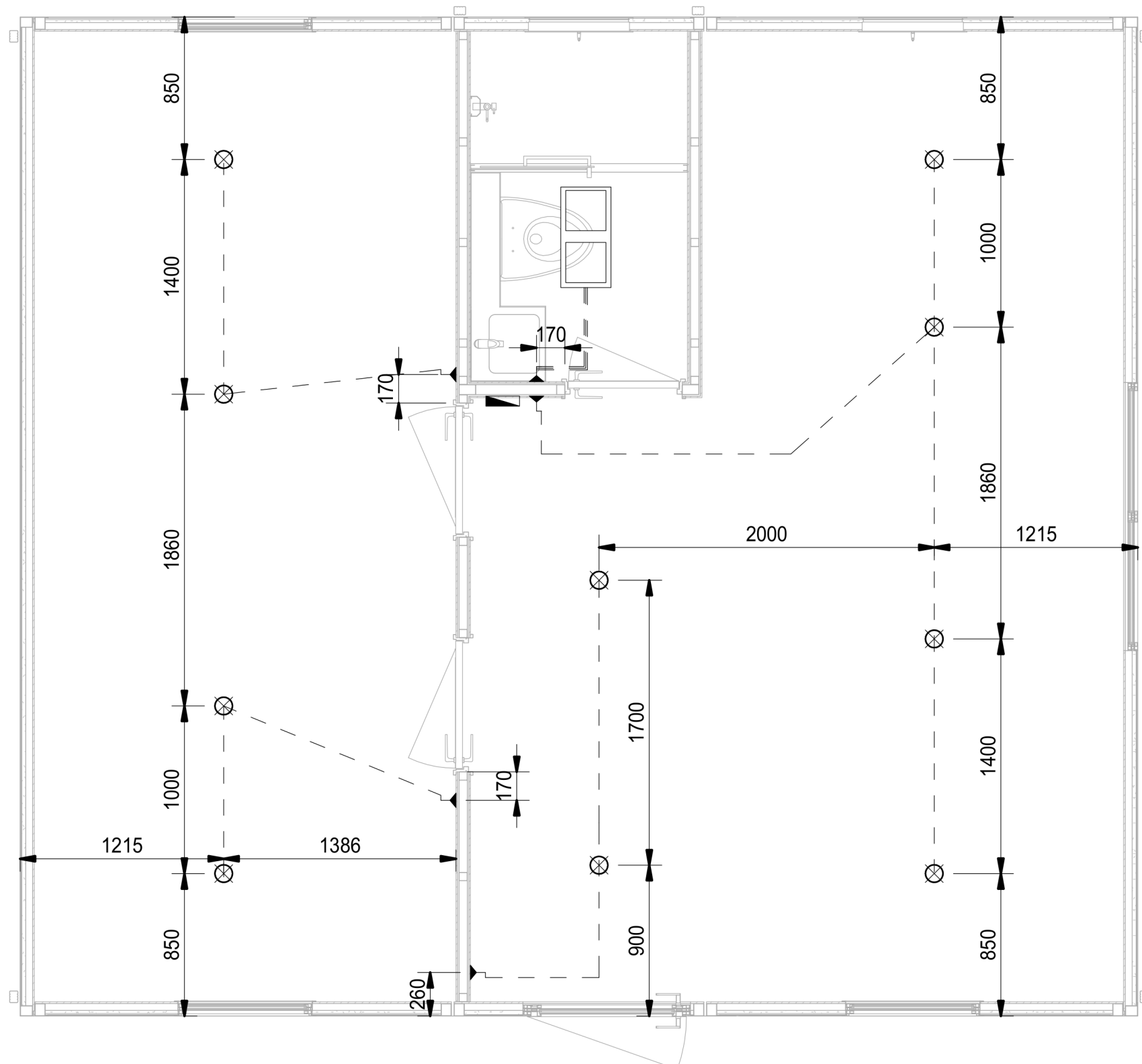




### SOCKET PLAN

	EU/AU/GB Standard Socket	American Standard Socket
⊕ <sup>U</sup>	220v socket /w USB	110v American Type /w USB
⊕	220v socket	110v American Type
⊕ <sup>U</sup> (with horizontal bar)	220v socket (big power)	220v socket (big power)

Note: socket layout plan is applicable for different standard, need to use corresponding socket panel



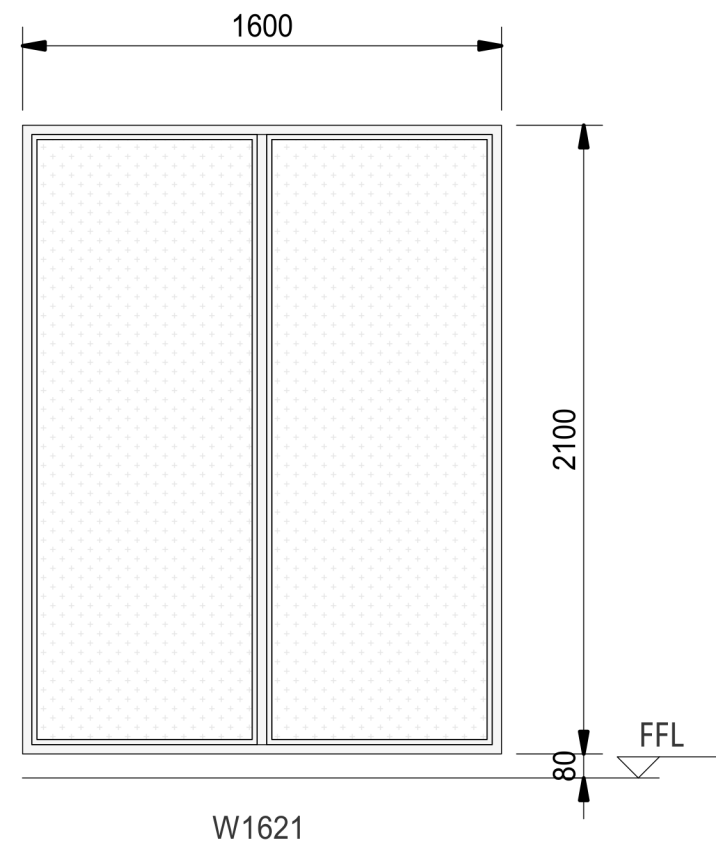
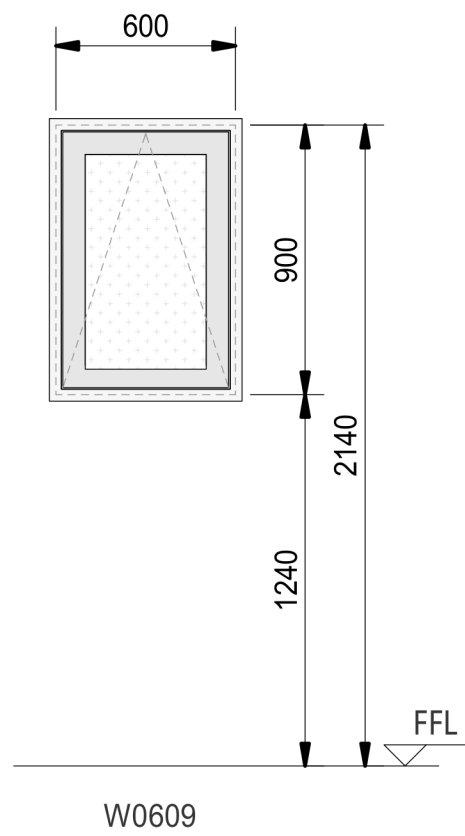
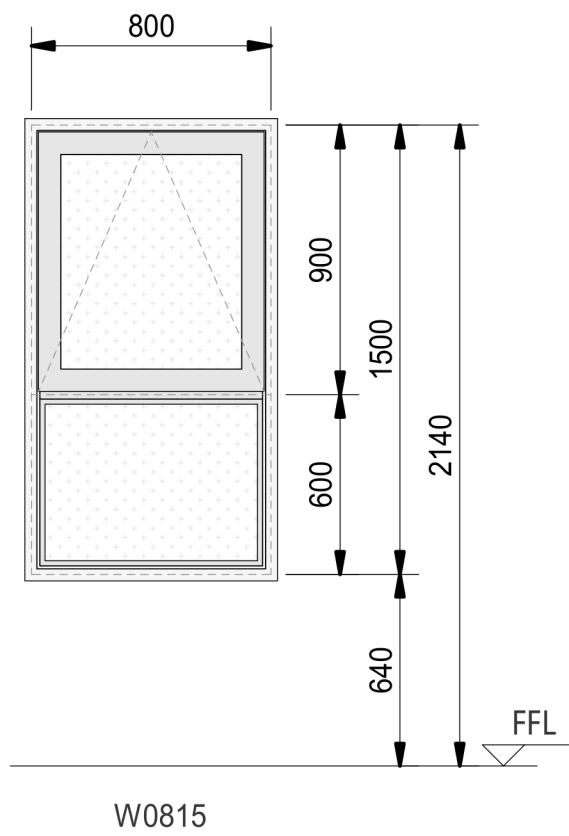
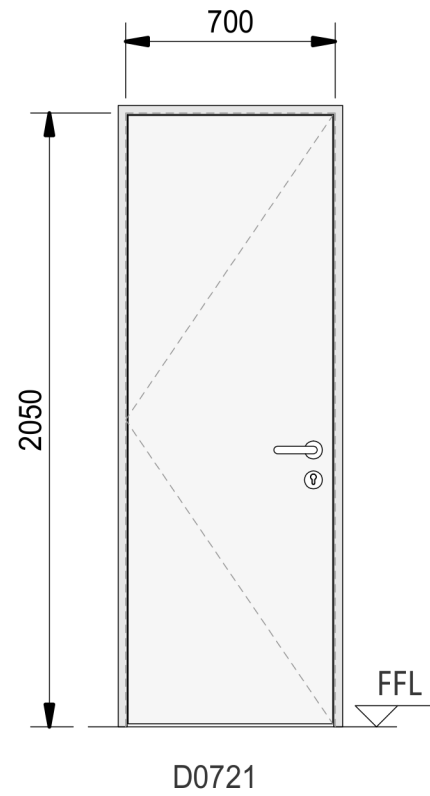
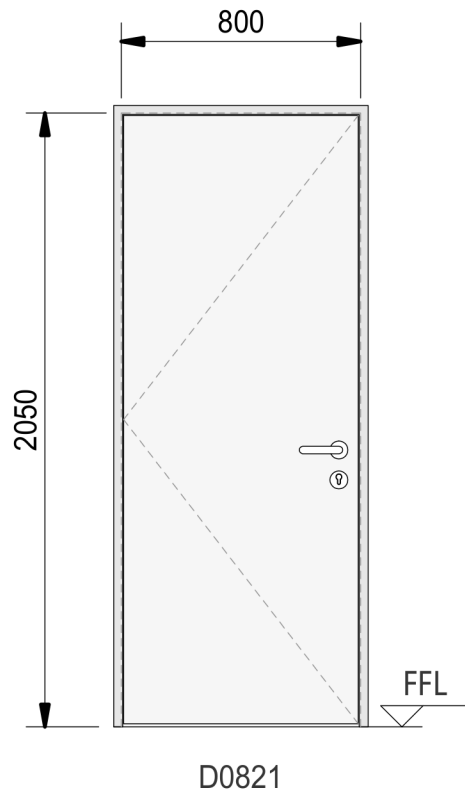
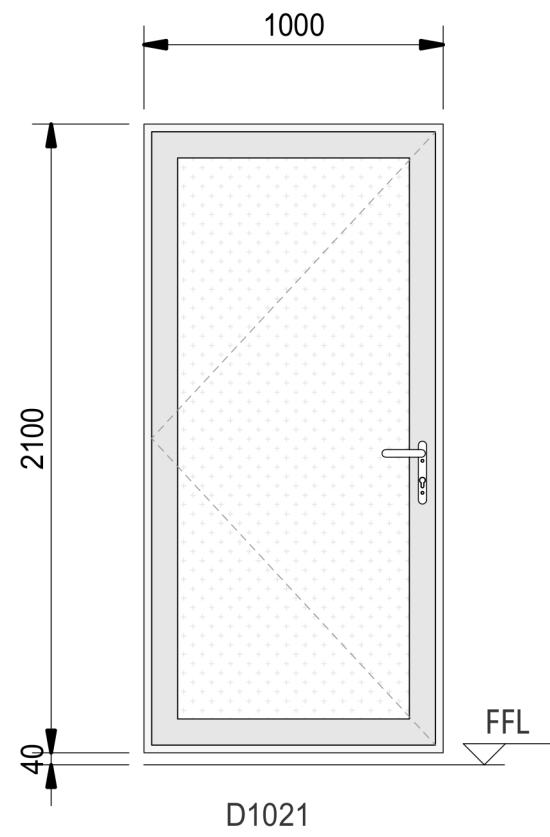
**LIGHT PLAN**

Note

	LED downlight, 20w, white
	LED light, 300x300, bathroom
	Twin switch
	Single gang switch
	Distribution Box



**PLUMBING PLAN**



DOOR & WINDOW SCHEDULE